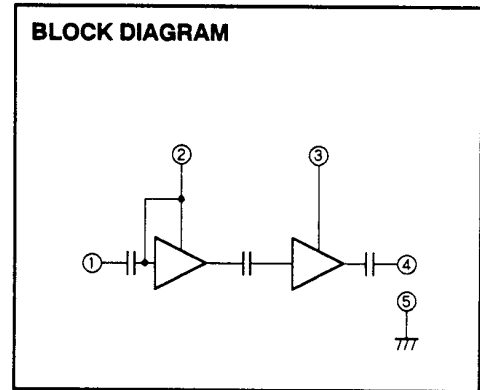
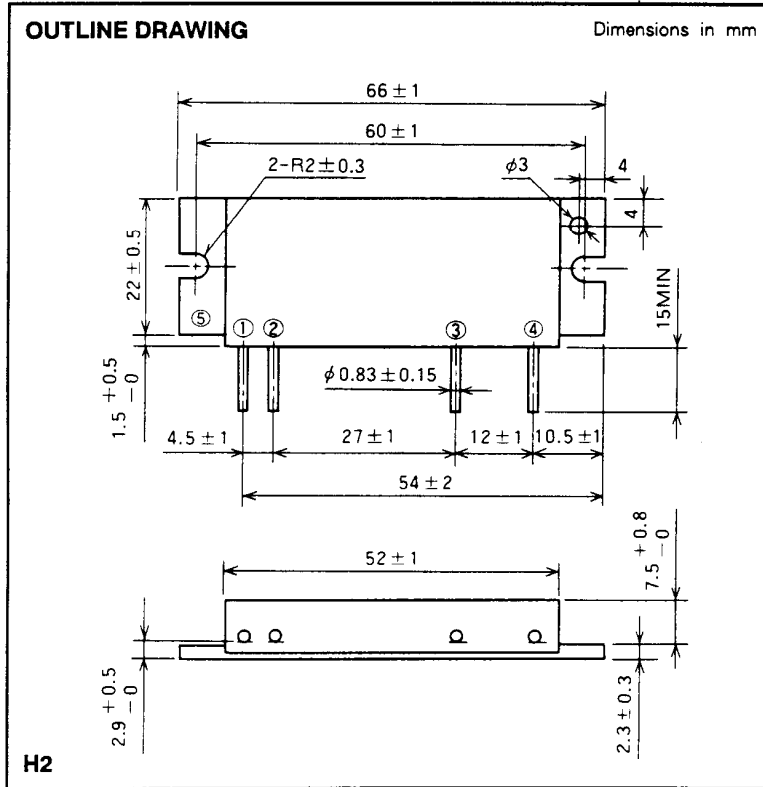


# M67781L

135-160MHz, 12.5V, 40W, FM MOBILE RADIO



- PIN :
- ① Pin : RF INPUT
  - ② Vcc1 : 1st. DC SUPPLY
  - ③ Vcc2 : 2nd. DC SUPPLY
  - ④ Po : RF OUTPUT
  - ⑤ GND : FIN

**ABSOLUTE MAXIMUM RATINGS** (Tc = 25 °C unless otherwise noted)

Symbol	Parameter	Conditions	Ratings	Unit
Vcc1	Supply voltage		16	V
Vcc2			17	V
Icc	Total current		12	A
P <sub>in(max)</sub>	Input power	Z <sub>G</sub> = Z <sub>L</sub> = 50 Ω, Vcc1 ≤ 12.5V	0.6	W
P <sub>o(max)</sub>	Output power	Z <sub>G</sub> = Z <sub>L</sub> = 50 Ω	50	W
T <sub>C(OP)</sub>	Operation case temperature		- 30 to 110	°C
T <sub>stg</sub>	Storage temperature		- 40 to 110	°C

Note. Above parameters are guaranteed independently.

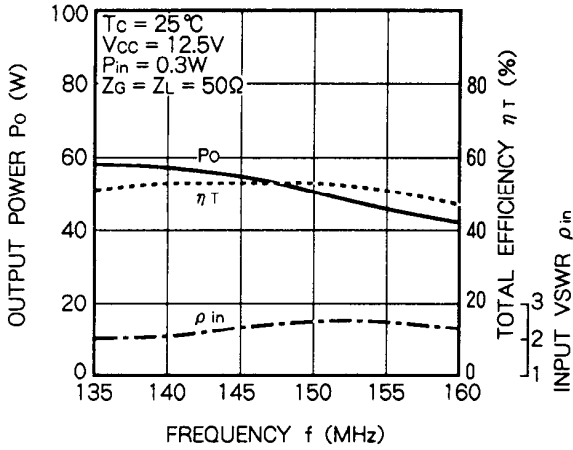
**ELECTRICAL CHARACTERISTICS** (Tc = 25 °C unless otherwise noted)

Symbol	Parameter	Test conditions	Limits		Unit
			Min	Max	
f	Frequency range	P <sub>in</sub> = 0.3W Vcc = 12.5V Z <sub>G</sub> = Z <sub>L</sub> = 50 Ω	135	160	MHz
P <sub>o</sub>	Output power		40		W
η <sub>T</sub>	Total efficiency		40		%
2fo	2nd. harmonic			- 30	dBc
3fo	3rd. harmonic			- 30	dBc
ρ <sub>in</sub>	Input VSWR			3.0	-
-	Load VSWR tolerance	Vcc = 15.2V, P <sub>o</sub> = 40W (P <sub>in</sub> :controlled) Load VSWR = 8.8:1 (All phase), 5sec. Z <sub>G</sub> = 50 Ω	No degradation or destroy		-

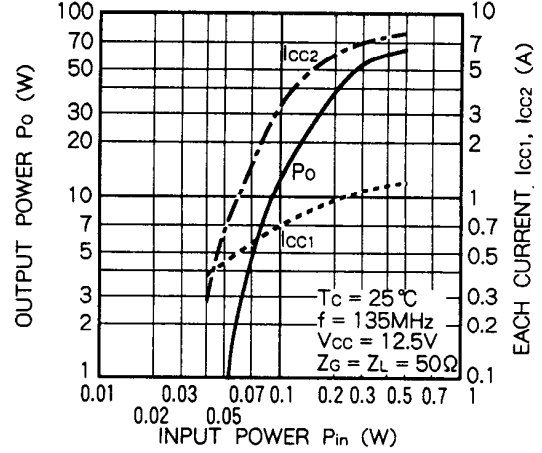
Note. Above parameters, ratings, limits and conditions are subject to change.

TYPICAL PERFORMANCE DATA

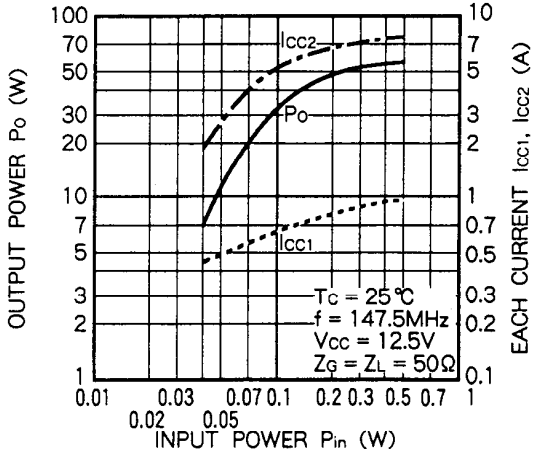
OUTPUT POWER, TOTAL EFFICIENCY, INPUT VSWR VS. FREQUENCY CHARACTERISTICS



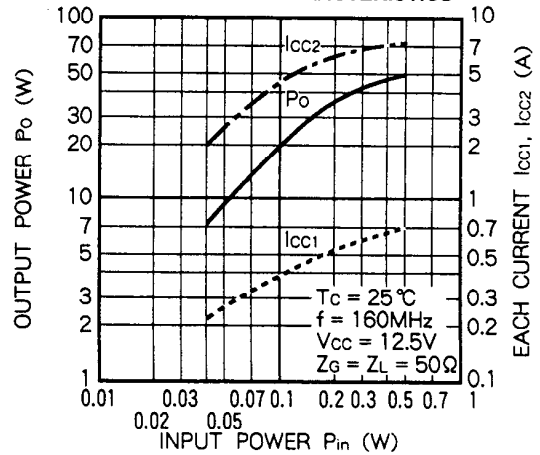
OUTPUT POWER, EACH CURRENT VS. INPUT POWER CHARACTERISTICS



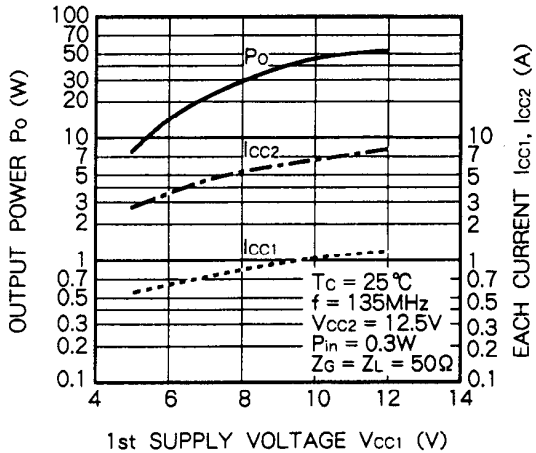
OUTPUT POWER, EACH CURRENT VS. INPUT POWER CHARACTERISTICS



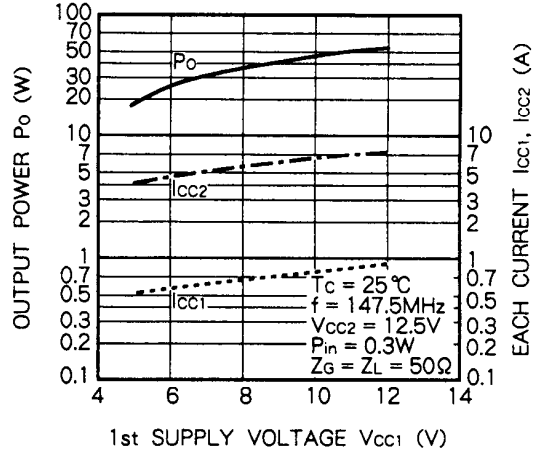
OUTPUT POWER, EACH CURRENT VS. INPUT POWER CHARACTERISTICS



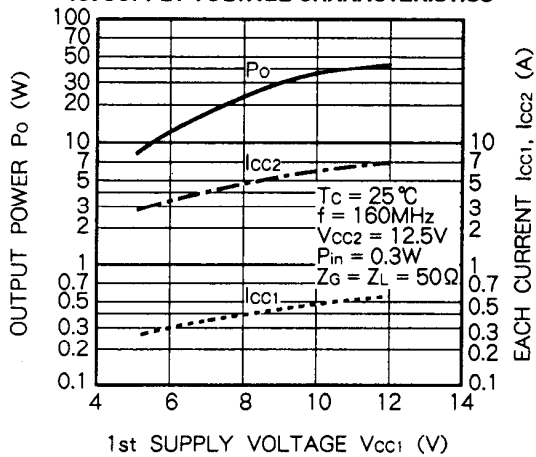
OUTPUT POWER, EACH CURRENT VS. 1st SUPPLY VOLTAGE CHARACTERISTICS



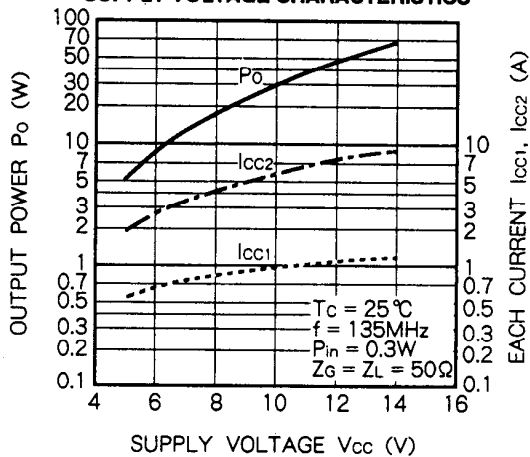
OUTPUT POWER, EACH CURRENT VS. 1st SUPPLY VOLTAGE CHARACTERISTICS



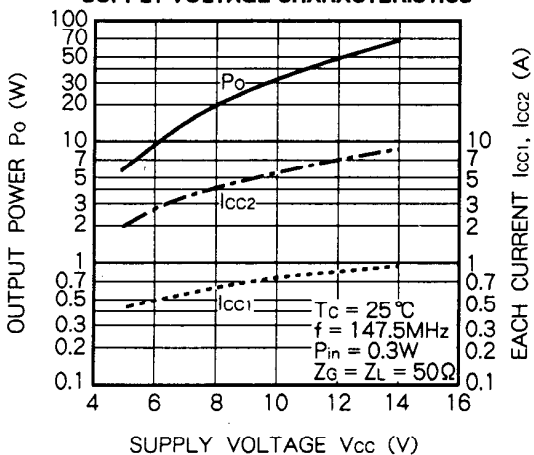
OUTPUT POWER, EACH CURRENT VS. 1st SUPPLY VOLTAGE CHARACTERISTICS



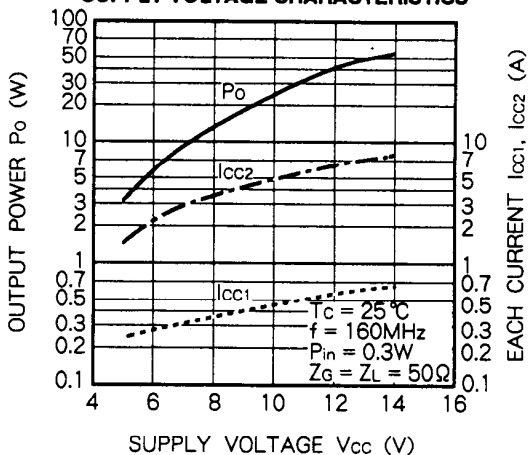
OUTPUT POWER, EACH CURRENT VS. SUPPLY VOLTAGE CHARACTERISTICS



OUTPUT POWER, EACH CURRENT VS. SUPPLY VOLTAGE CHARACTERISTICS



OUTPUT POWER, EACH CURRENT VS. SUPPLY VOLTAGE CHARACTERISTICS



This datasheet has been download from:

[www.datasheetcatalog.com](http://www.datasheetcatalog.com)

Datasheets for electronics components.